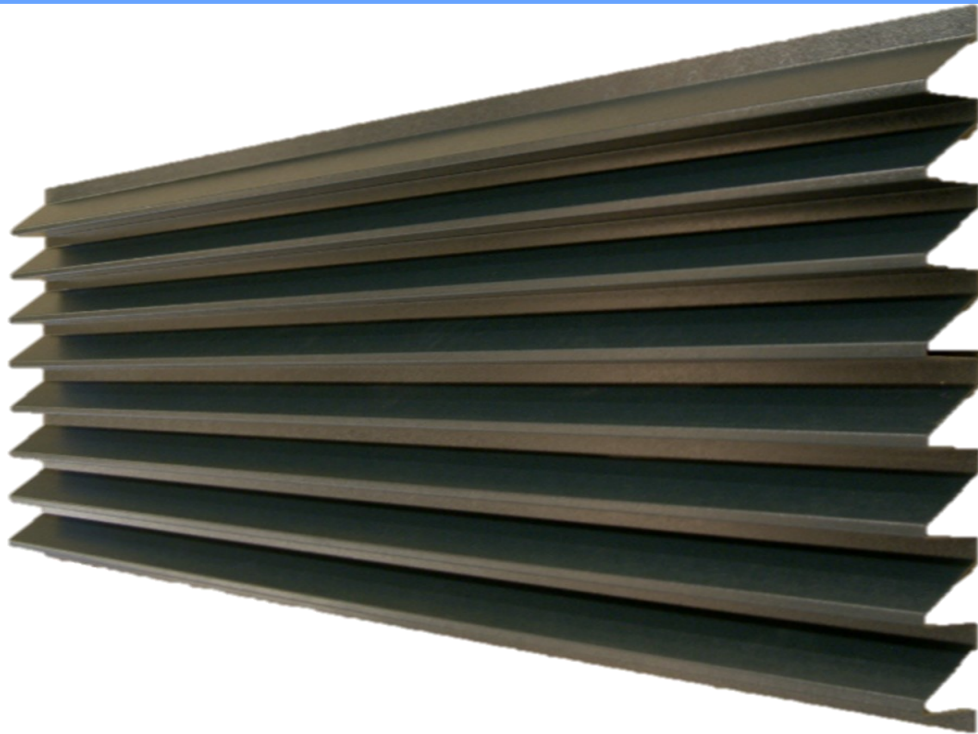




McKenzie Martin Ltd

LOUVRE AND NATURAL VENTILATION SPECIALISTS



Dummy Louvres

Profiled Cladding System

McKenzie Martin—Louvres and Natural Ventilation

Eton Hill Works, Eton Hill Road, Radcliffe, Manchester. M26 2US

www.McKenzieMartin.co.uk Sales@McKenzieMartin.co.uk Tel: 0161 723 2234



Dummy Louvres

Available Features

- Mitred Corners
- Butt Straps
- Perimeter Flashings
- Integrated Edge Details
- Single/Double Louvred Doors

Available Finishes

- Natural Mill Finish
- Polyester Powder Coated to your choice of RAL
- Stoved Acrylic

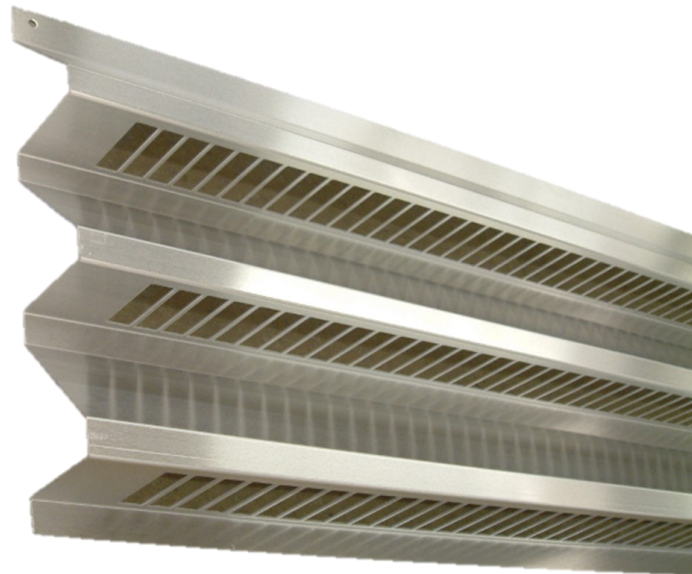
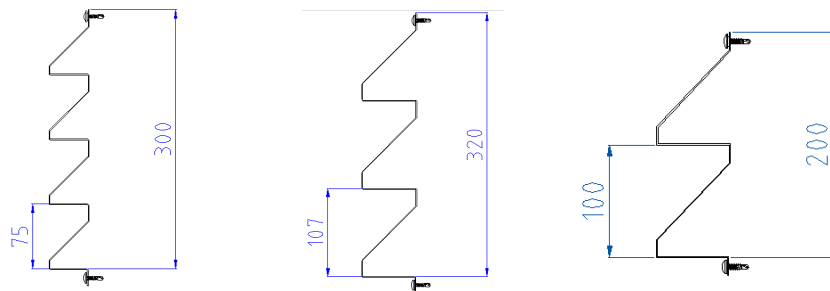
The System

McKenzie Martin manufacture a range of dummy or Lookalike louvres that whilst having the appearance of a conventional louvre, benefit from the simplicity of being a profiled louvred cladding sheet that is cost effective to manufacture and quick to install.

Used in areas where the appearance, but not the functionality, of a conventional live louvre is required.

Commonly used in non-ventilated areas of commercial buildings, hospitals and other public buildings with large areas which require only the appearance of conventional louvres.

Available Sizes



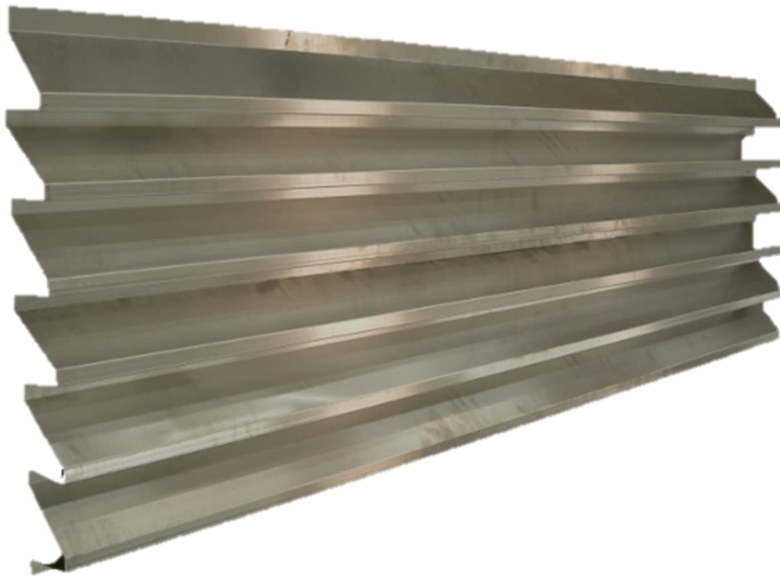
Soffit slots or perforations can be included in order to allow natural ventilation.



McKenzie Martin—Louvres and Natural Ventilation

Eton Hill Works, Eton Hill Road, Radcliffe, Manchester. M26 2US

Tel: 0161 723 2234 Sales@McKenzieMartin.co.uk www.McKenzieMartin.co.uk

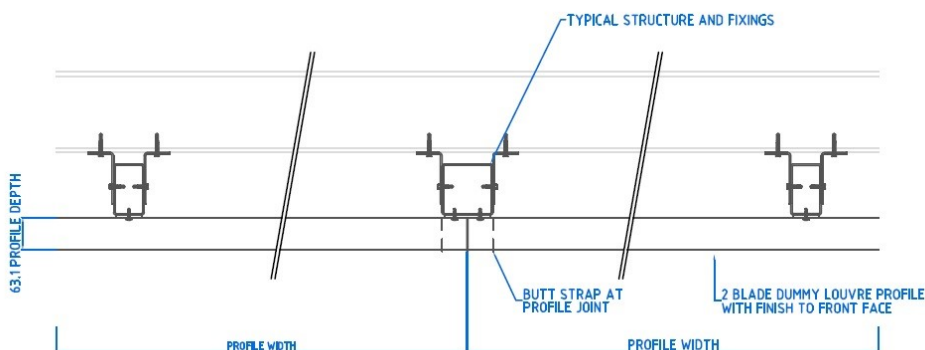


Offered in a choice of aluminium or steel, either in mill finish or post coated. Also available for manufacture in pre-coated materials.

Aluminium profiles provided to BSEN 485 supplied in either mill finish or with a polyester powder paint finish (including Syntha Pulvin) with a wide choice of colours and gloss levels.

Steel profiles manufactured using Corten or galvanised steel in mill finish with a polyester powder coat finish.

Standard Fixings



If you require any further information on any of our dummy louvre systems please feel free to contact us using the information shown below.

Dummy Louvres

Manufacturing Materials

- Louvre blades - Aluminium alloy sheet to BS EN 485
- Frame components and vertical support mullions—Extruded Aluminium sections manufactured from 6063 T6 aluminium to BS1474

McKenzie Martin—Louvres and Natural Ventilation

Eton Hill Works, Eton Hill Road, Radcliffe, Manchester. M26 2US

Www.McKenzieMartin.co.uk Sales@McKenzieMartin.co.uk Tel: 0161 723 2234



Available Products

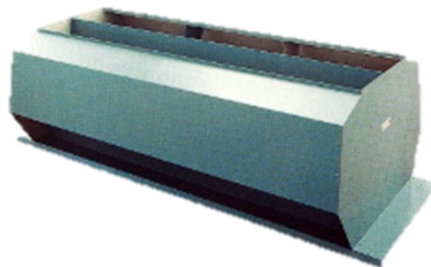
We offer a wide range of ventilation products to cover a variety of applications

Architectural Louvres

- Maximair
- Maximair Double Bank
- K Series Louvres

Fabricated Louvres

- Continuous Fixed Louvre
- Fixed Box Louvre
- Combination Louvre
- Sand Trap
- SR Louvre
- Chevron
- Louvred Doors
- Turrets
- Acoustic Louvres
- Dummy Louvres



Natural Ventilation

- Mackridge
- Kenstack
- Clearvent
- Multivent
- Macvent
- Dummy Louvres

Smoke Ventilators

- Clearfire 2000
- Clearfire 2000 LV
- Firemac 2000
- Vestra 2000
- Vertica 2000
- Clearlite 2000

Operating Louvres

- Operating Box Louvres
- Thermac Operating Louvres



McKenzie Martin—Louvres and Natural Ventilation

Eton Hill Works, Eton Hill Road, Radcliffe, Manchester. M26 2US

Tel: 0161 723 2234 Sales@McKenzieMartin.co.uk www.McKenzieMartin.co.uk