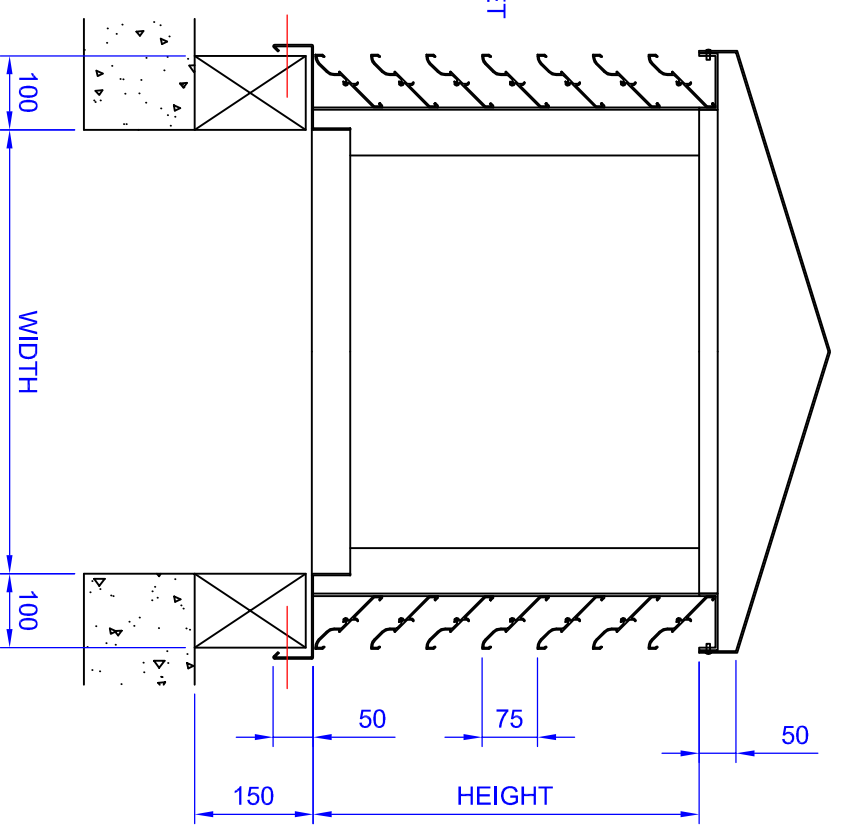


FIXINGS THROUGH TURRET  
BASE INTO UPSTAND.  
FIXINGS ON 300mm MAX.  
CTRS.



- Material: Extruded aluminium grade 6063-T6
- Finish: Polyester powder coated, std RAL/BS colour
- Banks: 1
- Pitch: 75mm
- Depth: 115mm
- Mesh: Aluminium bird diamond mesh 35 x 13
- Blanking: None
- Flange: 50mm



**McKenzie-Martin Ltd**  
Ventilators - Louvers - Rooflights

Elton Hill Works, Elton Hill Rd., Redditch, Warwickshire, N16 2JG  
Telephone 01827 232234 Fax No. 01827 253931  
www.mckenzie-martin.co.uk general@mckenzie-martin.co.uk

Title: **MAXIMAIR 'A' SERIES TURRET LOUVRE**

Project: **STD DETAIL**

Drawn By: **T. King**

Date: -

Checked By: -

Approved Date: -

Scale: **NTS**

Job No. -

Dwg. No. **MAX-A TURRET**

Iss.	Amendment	Date	Sig.